

SNB-6010B

2M 4.6mm Network Remote Head Camera

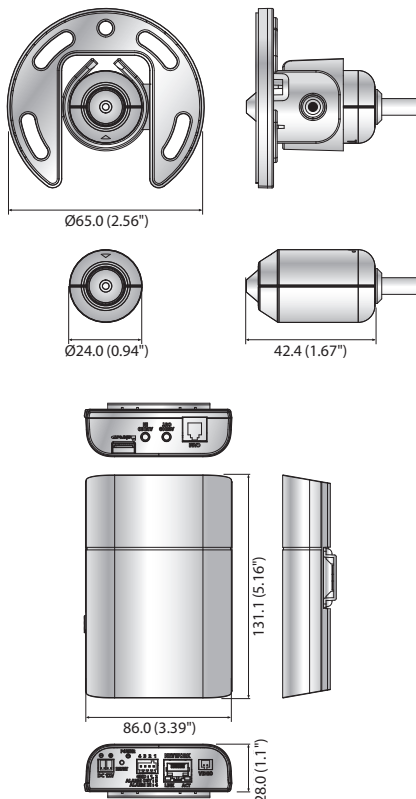


Key Features

- Max. 2megapixel (1920 x 1080) resolution
- H.264, MJPEG dual codec, Multiple streaming
- WDR (120dB), Defog
- Motion detection, Audio Detection, Face Detection with Metadata, Tampering, Virtual line, Enter/Exit, (Dis)Appear
- micro SD/SDHC/SDXC memory slot, Multi-crop streaming
- Extremely discreet design

Dimensions

Unit : mm (inch)



SNB-6010B

VIDEO	
Imaging Device	1/2.8" 2.38M CMOS
Total Pixels	1,952(H) x 1,116(V)
Effective Pixels	1,944(H) x 1,104(V)
Scanning System	Progressive
Min. Illumination	Color : 0.3Lux (1/30sec, F2.5, 50IRE)
Video Output	CVBS : 1.0Vpp / 75Ω composite, 720 x 480(N), 720 x 576(P), for installation DIP connector type
LENS	
Focal length	4.6mm pinhole
Max. Aperture ratio	F2.5
Angular Field of View	H : 71° / V : 38°
Min. Object Distance	0.3m (0.98ft)
Mount Type	RJ-12 connected with main unit
OPERATIONAL	
Camera Title	Off / On (Displayed up to 45 characters)
Day & Night	Auto (Electrical) / Color / B/W / Schedule
Backlight Compensation	Off / BLC / WDR
Wide Dynamic Range	120dB
Contrast Enhancement	SSDR (Off / On)
Digital Noise Reduction	SSNRIII (2D+3D noise filter) (Off / On)
Digital Image Stabilization	Off / On
Defog	Off / Auto / Manual
Motion Detection	Off / On (4ea 4 points polygonal zone)
Privacy Masking	Off / On (32 zones with 4 points of polygonal)
Gain Control	Off / Low / Middle / High
White Balance	ATW / AWC / Manual / Indoor / Outdoor
Electronic Shutter Speed	Minimum / Maximum / Anti flicker (2 ~ 1/12,000sec)
Flip / Mirror	Off / On
Intelligent Video Analytics	Tampering, Virtual line, Enter / Exit, (Dis)Appear, Audio detection, Face detection with metadata
Alarm I/O	Input 1ea / Output 1ea
Alarm Triggers	Motion detection, Alarm input, Video analytics, Network disconnection, Audio detection
Alarm Events	File upload via FTP and E-mail, Notification via E-mail, Local storage (SD/SDHC/SDXC) or NAS recording at Event (Alarm triggers), External output
NETWORK	
Ethernet	RJ-45 (10/100BASE-T)
Video Compression Format	H.264 (MPEG-4 part 10/AVC), MJPEG
Resolution	1920 x 1080, 1280 x 1024, 1280 x 960, 1280 x 720, 1024 x 768, 800 x 600, 800 x 450, 640 x 480, 640 x 360, 320 x 240, 320 x 180
Max. Framerate	H.264 : Max. 30fps at all resolutions MJPEG : 1920 x 1080, 1280 x 1024, 1280 x 960, 1280 x 720, 1024 x 768 : Max. 15fps 800 x 600, 800 x 450, 640 x 480, 640 x 360, 320 x 240, 320 x 180 : Max. 30fps
Video Quality Adjustment	H.264 : Compression level, Target bitrate level control, MJPEG : Quality level control
Bitrate Control Method	H.264 : CBR or VBR, MJPEG : VBR
Streaming Capability	Multiple streaming (Up to 10 profiles)
Audio In	Selectable (Mic in / Line in), Supply voltage : 2.5V DC (4mA), Input impedance : approx. 2K Ohm
Audio Out	Line out (3.5mm stereo mini jack), Max output level : 1 Vrms
Audio Compression Format	G.711 u-law/G.726 selectable, G.726 (ADPCM) 8KHz, G.711 8KHz G.726 : 16Kbps, 24Kbps, 32Kbps, 40Kbps
Audio Communication	Bi-directional audio (2-way)
IP	IPv4, IPv6
Protocol	TTCp/IP, UDP/IP, RTP (UDP), RTP (TCP), RTSP, RTSP, NTP, HTTP, HTTPS, SSL/TLS, DHCP, PPPoE, FTP, SMTP, ICMP, IGMP, SNMPv1/v2c/v3(MIB-2), ARP, DNS, DDNS, QoS, PIM-SM, UPnP, Bonjour
Security	HTTPS (SSL) login authentication, Digest login authentication IP address filtering, User access log, 802.1x authentication
Streaming Method	Unicast / Multicast
Max. User Access	15 users at unicast mode
Edge Storage	micro SD/SDHC/SDXC - Motion Images recorded in the SD/SDHC/SDXC memory card can be downloaded. NAS (Network Attached Storage)
Application Programming Interface	ONVIF profile S, HTTP API (SUNAPI) 2.0, S/NP 1.2
Webpage Language	English, French, German, Spanish, Italian, Chinese, Korean, Russian, Japanese, Swedish, Danish, Portuguese, Turkish, Polish, Czech, Rumanian, Serbian, Dutch, Croatian, Hungarian, Greek, Finnish, Norwegian
Web Viewer	Supported OS : Windows 7, 8, 10, Mac OS X 10.8, 10.9, 10.10, 10.11 Supported Browser : MS Explore 11, Mozilla Firefox 43, Apple Safari 9 * Mac OS X only
Central Management Software	Smart Viewer, SSM
ENVIRONMENTAL	
Operating Temperature / Humidity	-10°C ~ +55°C (+14°F ~ +131°F) / Less than 90% RH
Storage Temperature / Humidity	-30°C ~ +60°C (-22°F ~ +140°F) / Less than 90% RH
ELECTRICAL	
Input Voltage / Current	PoE (IEEE802.3af), 12V DC
Power Consumption	PoE : Max. 7.5W, 12V DC : Max. 6.5W
MECHANICAL	
Color / Material	Camera header : Black / Plastic, Main unit : Ivory / Plastic
Dimensions (WxHxD)	Camera header : Ø24.0 x 42.4mm (Ø0.94" x 1.67"), Main unit : 131.1 x 28.0 x 86.0 (5.16" x 1.1" x 3.39")
Weight	Camera unit (Include 1.5m cable) : 80g (0.18 lb), Main unit : 255g (0.56 lb)

* Data recorded on an SD memory card may be lost or damaged by data access during power-off, mechanical shock, memory card detachment, or other operations. Data loss or damage can also occur when a memory card reaches end of life, which varies according to operational conditions. No guarantee is given against damage (including passive damage).

* The latest product information / sepecification can be found at <http://security.hanwhatechwin.com>